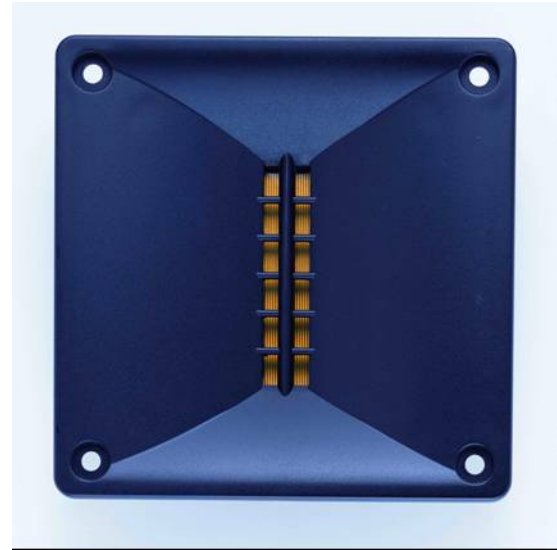


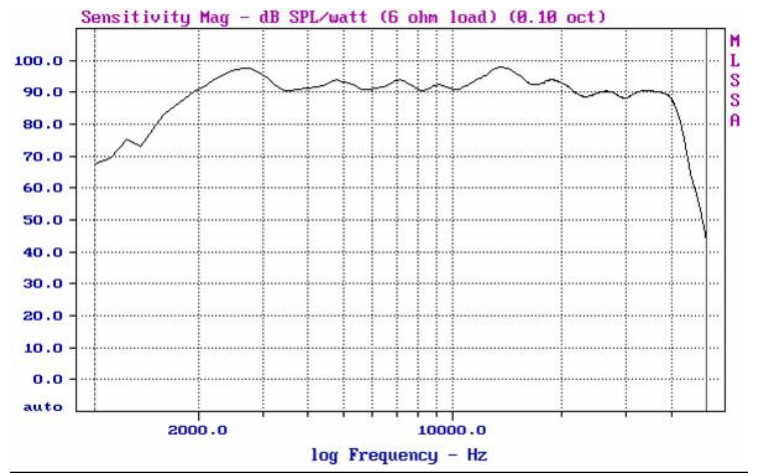
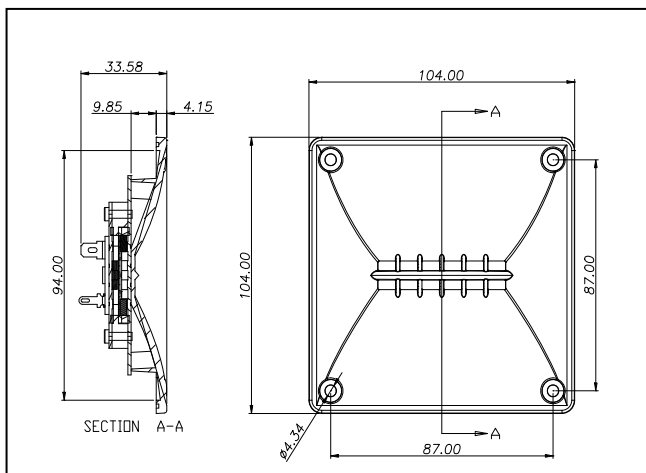
**Features:**

- Ribbon Tweeter
- 2K Hz to 40K Hz Response
- 92 dB Sensitivity
- 6 Ohm Impedance
- Laminated Aluminum Diaphragm
- Ultra-thin Diaphragm



**Specifications:**

|                       |   |
|-----------------------|---|
| Nominal Impedance     | 6 Ohm   |
| Frequency Response    | 2K Hz ~ 40K Hz  |
| Sensitivity           | 92 dB @ 1W/1m   |
| Recommended Crossover | More than 2.5 K Hz  |
| Power Handling        | 40 W Continuous / 3 <sup>rd</sup> Crossover, $Q \leq 0.707$ |
| Diaphragm             | Laminated Aluminum  |
| Magnet                | Nd-Fe-B   |
| Weight                | 175 grams   |



**BESTON Technology Corporation**

Office: 5F-13, No. 9, Ai Kuo West Rd., Taipei 100, Taiwan

TEL: (886)-2-23892956 FAX: (886)-2-23892952

E-Mail: [s272@ms45.hinet.net](mailto:s272@ms45.hinet.net)